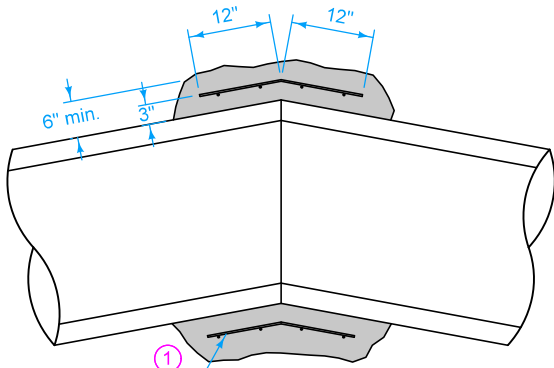


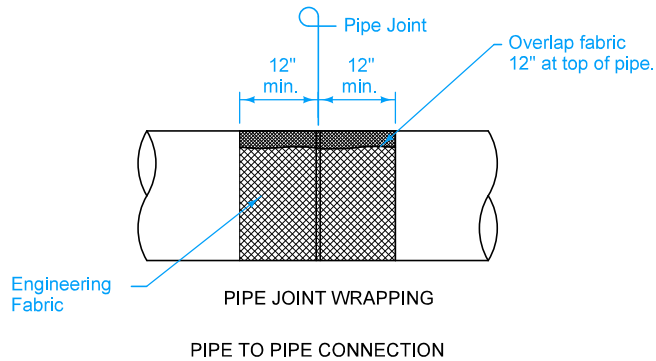
① 6"x6" - w2xw2 (8ga.) Wire Mesh

TYPE PC-1 CONCRETE COLLAR CONNECTION



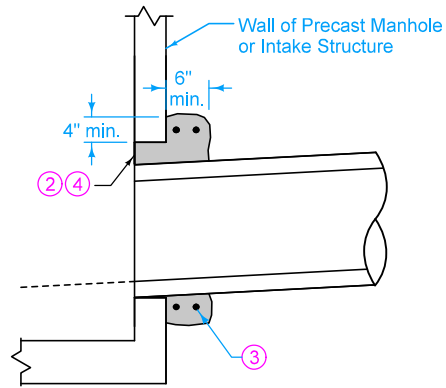
① 6"x6" - w2xw2 (8ga.) Wire Mesh

TYPE PC-2 CONCRETE COLLAR CONNECTION

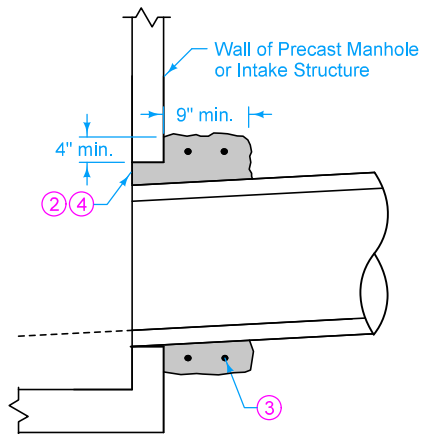


PIPE JOINT WRAPPING

PIPE TO PIPE CONNECTION



CONCRETE COLLAR FOR PIPES 12" AND SMALLER



CONCRETE COLLAR FOR PIPES GREATER THAN 12"

PIPE TO STRUCTURE CONNECTION

- ① Lap ends of wire mesh a minimum of 6 inches.
- ② Concrete collar is required when annular space between the outside of the pipe and the wall of the structure is 2 inches or greater.
- ③ Provide two #4 hoop bars in concrete collar. Lap bars a minimum of 6 inches.
- ④ Trowel concrete flush with inside wall of structure.

SUDAS	IOWADOT	REVISION
		2 04-17-18
FIGURE 4020.211	STANDARD ROAD PLAN	SW-211
		SHEET 1 of 1
<small>REVISIONS: Removed 'invert' callout on Pipe to Structure View. Retitled and replaced old Iowa DOT and SUDAS logos with new logos.</small>		
<i>Paul D. Wigand</i> SUDAS DIRECTOR		<i>Brian Smith</i> DESIGN METHODS ENGINEER
STORM SEWER PIPE CONNECTIONS		