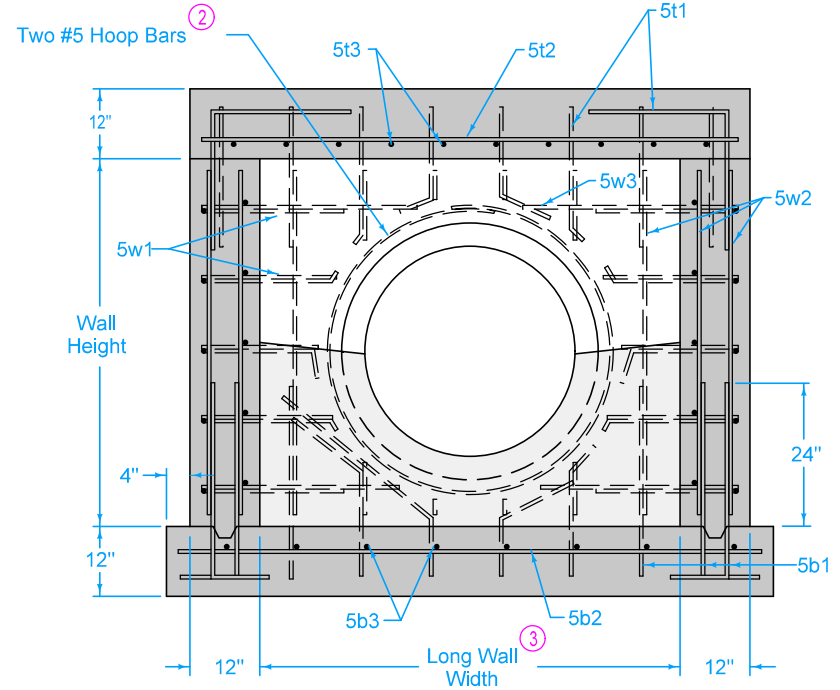
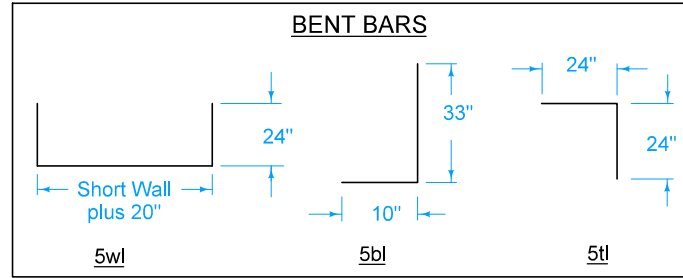


- ② Provide two #5 hoop bars at intermediate top opening and at all pipe openings.
- ③ Wall widths vary with pipe diameter and range from 4 feet minimum to 12 feet maximum. Provide 12 inches of wall width (minimum) each side of pipe opening.



SECTION A-A

REINFORCING BAR LIST					
Mark	Size	Location	Shape	Length	Spacing
5t1	5	Top	L	48"	12"
5t2	5	Top	—	Long Wall plus 20"	9"
5t3	5	Top	—	Short Wall plus 20"	9"
5t4	5	Top	—	8"	12"
5b1	5	Base	L	43"	12"
5b2	5	Base	—	Long Wall plus 26"	12"
5b3	5	Base	—	Short Wall plus 26"	12"
5w1	5	Wall	U	Short Wall plus 68"	12"
5w2	5	Wall	—	Wall Height minus 4"	12"
5w3	5	Wall	—	Long Wall plus 20"	12"
5w4	5	Wall	—	Short Wall plus 20"	12"



SUDAS IOWADOT	REVISION 3 04-21-20
	<b>FIGURE 6010.404</b> STANDARD ROAD PLAN <b>SW-404</b> SHEET 2 of 2
REVISIONS: Added Class 1 Bedding Material and removed steps.	
Paul D. Weigand SUDAS DIRECTOR	
Stuart Miller DESIGN METHODS ENGINEER	
<b>RECTANGULAR BASE/          CIRCULAR TOP          STORM SEWER MANHOLE</b>	