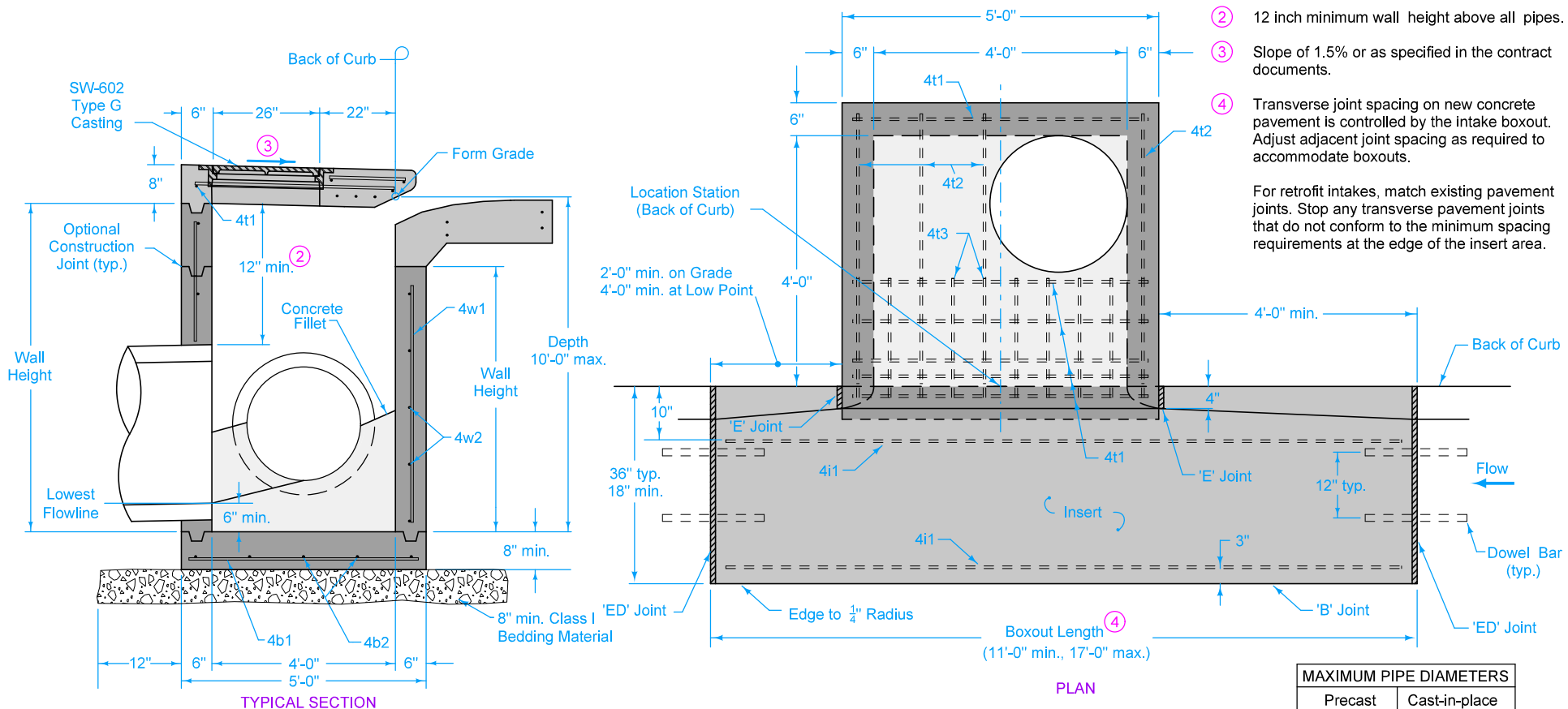


① Insert shaping may be modified for insert widths less than 36 inches. For an 18 inch insert, reduce dimensions indicated by 1/2 inch.

FIGURE 6010.508 SHEET 1 OF 2

SUDAS	IOWADOT	REVISION
		4 04-21-20
FIGURE 6010.508	STANDARD ROAD PLAN	SW-508
		SHEET 1 of 2
REVISIONS: Added Class 1 Bedding Material and changed maximum box out length to 17'.		
<i>Paul D. Wigand</i> SUDAS DIRECTOR		<i>Steve Nade</i> DESIGN METHODS ENGINEER
SINGLE OPEN-THROAT CURB INTAKE, LARGE BOX		



REINFORCING BAR LIST

Mark	Size	Location	Shape	Count	Length	Spacing
4t1	4	Top	—	7	4'-8"	See Insert
4t2	4	Top	—	4	4'-6"	12"
4t3	4	Top	—	10	1'-10"	6"
4b1	4	Base	—	6	4'-6"	11"
4b2	4	Base	—	6	4'-6"	11"
4i1	4	Insert	—	4	Boxout Length minus 8"	See Plan
4w1	4	Walls	—	16	Wall Height minus 4"	14"
4w2	4	Walls	—	Varies	4'-8"	12"
4w3	4	Walls	—	Varies	4'-8"	12"

MAXIMUM PIPE DIAMETERS

Precast Structure	Cast-in-place Structure
30"	36"

SUDAS IOWADOT	REVISION 4 04-21-20
	SW-508 SHEET 2 of 2
REVISIONS: Added Class I Bedding Material and changed maximum box out length to 17'.	
Paul D. Wigand SUDAS DIRECTOR	
Steve Miller DESIGN METHODS ENGINEER	
SINGLE OPEN-THROAT CURB INTAKE, LARGE BOX	

FIGURE 6010.508 SHEET 2 OF 2