

① Insert shaping may be modified for insert widths less than 36 inches. For an 18 inch insert, reduce dimensions indicated by 1/4 inch.

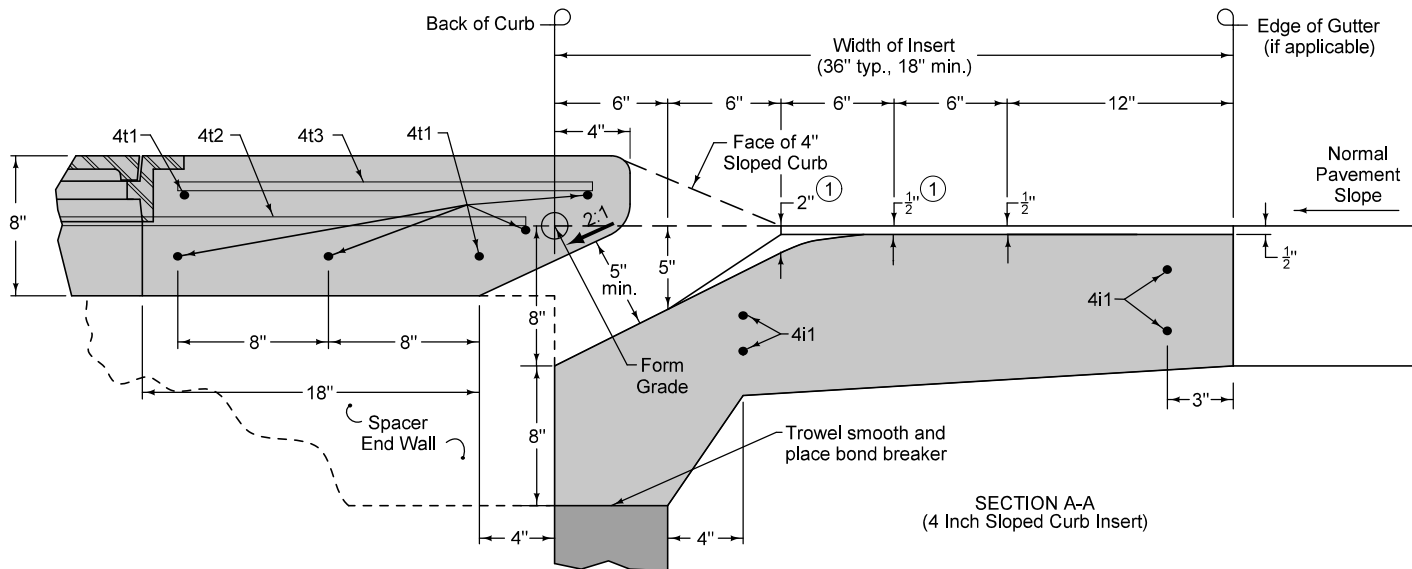
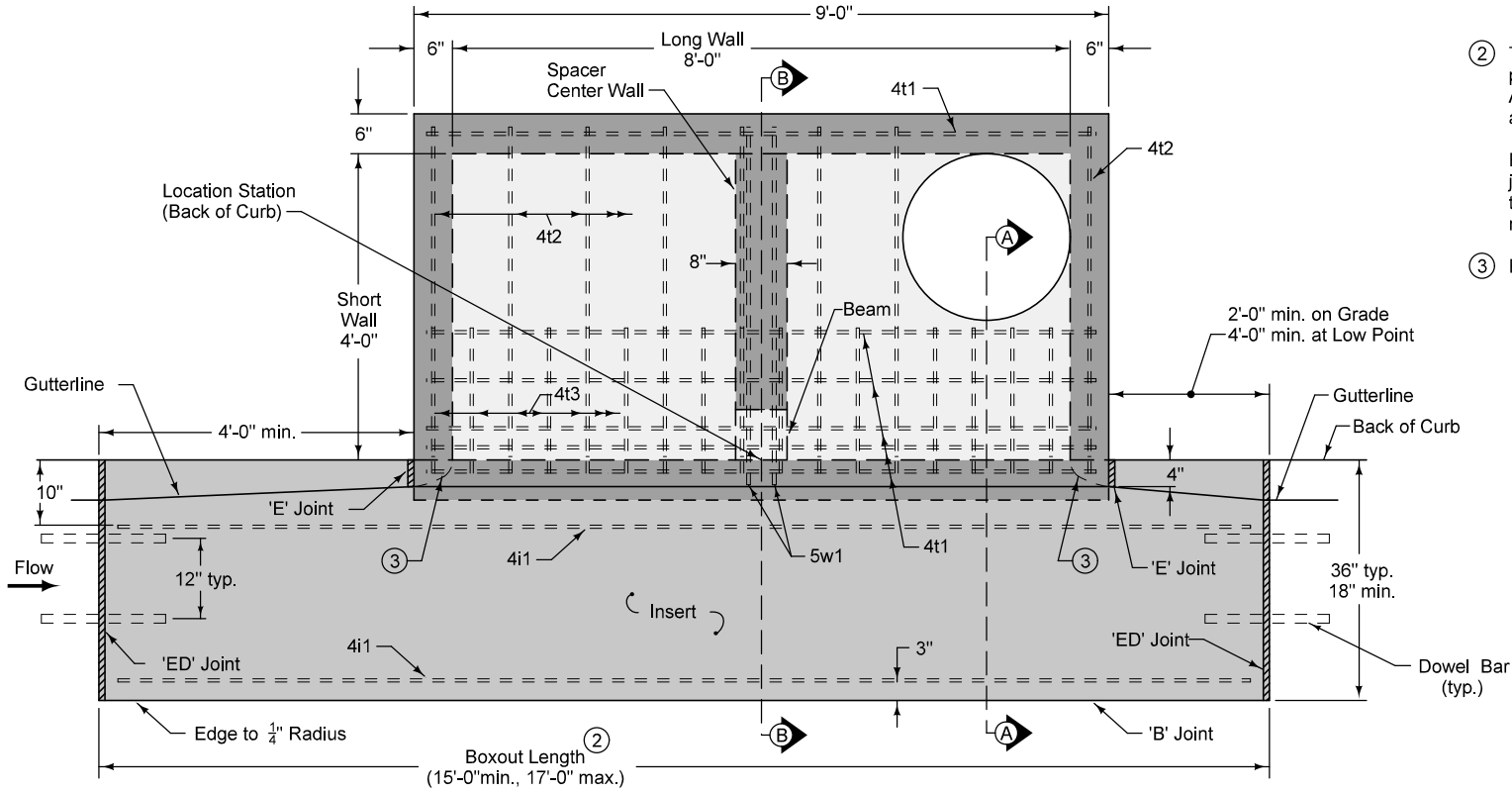


FIGURE 6010.510 SHEET 1 OF 3

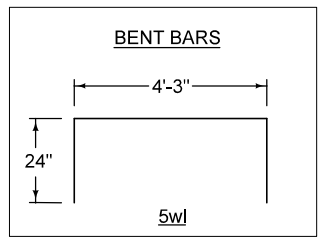
SUDAS IOWADOT	REVISION	6	04-21-20
	FIGURE 6010.510	STANDARD ROAD PLAN	SW-510
REVISIONS: Added Class 1 Bedding Material and changed maximum box out length to 17'.			SHEET 1 of 3
Paul D. Wigand SUDAS DIRECTOR		Steve Nadeau DESIGN METHODS ENGINEER	
<b>DOUBLE OPEN-THROAT CURB INTAKE, LARGE BOX</b>			



- ② Transverse joint spacing on new concrete pavement is controlled by the intake boxout. Adjust adjacent joint spacing as required to accommodate boxouts.
- For retrofit intakes, match existing pavement joints. Stop any transverse pavement joints that do not conform to the minimum spacing requirements at the edge of the insert area.
- ③ Rounded shaping at inlet.

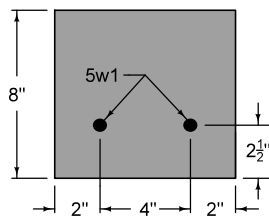
PLAN

REINFORCING BAR LIST						
Mark	Size	Location	Shape	Count	Length	Spacing
4b1	4	Base	—	9	4'-6"	12"
4b2	4	Base	—	6	8'-6"	11"
4i1	4	Insert	—	4	Boxout Length minus 8"	See Insert
4t1	4	Top	—	7	8'-6"	See Plan
4t2	4	Top	—	8	4'-4"	12"
4t3	4	Top	—	18	1'-10"	6"
4w1	4	Walls	—	24	Wall Height minus 4"	13"
4w2	4	Long Walls	—	Varies	4'-8"	12"
4w3	4	Short Walls	—	Varies	8'-8"	12"
5w1	5	Beam	⌊	2	8'-3"	4"

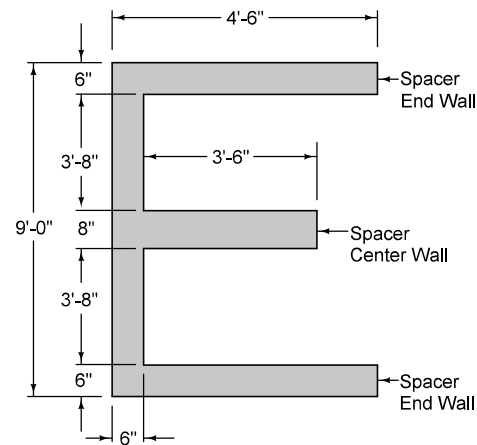


SUDAS IOWADOT <b>FIGURE 6010.510</b> STANDARD ROAD PLAN	REVISION 6 04-21-20	
	<b>SW-510</b> SHEET 2 of 3	
REVISIONS: Added Class I Bedding Material and changed maximum box out length to 17'.		
Paul D. Wiegand SUDAS DIRECTOR		
Stuart Miller DESIGN METHODS ENGINEER		
<b>DOUBLE OPEN-THROAT CURB          INTAKE, LARGE BOX</b>		

FIGURE 6010.510 SHEET 2 OF 3



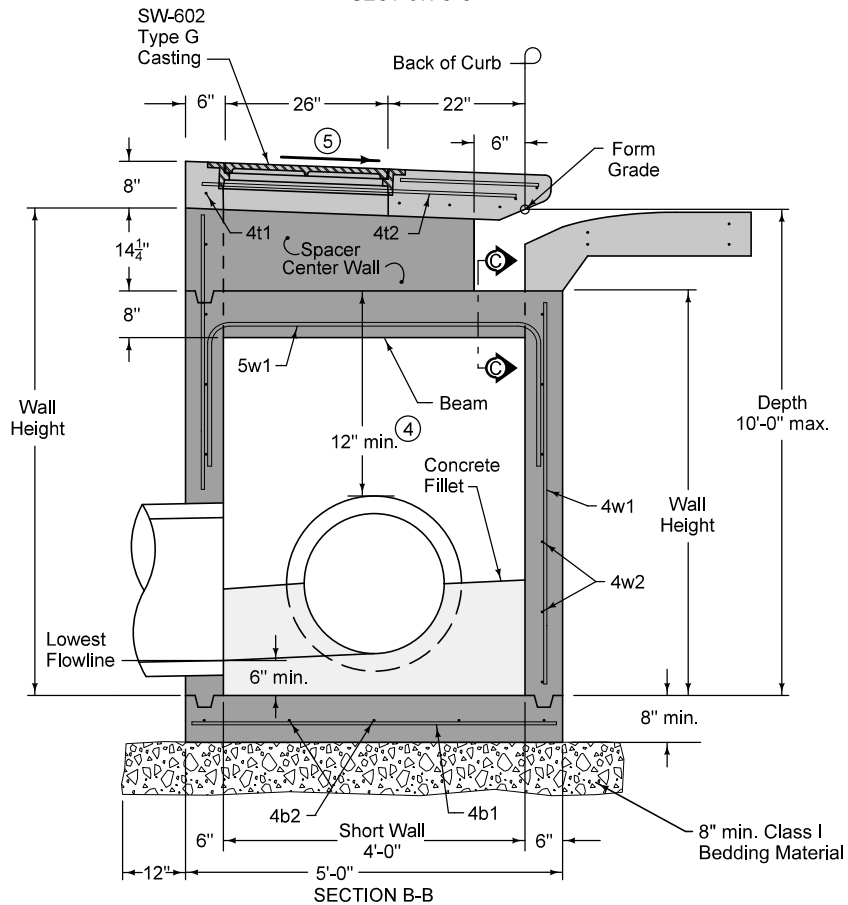
SECTION C-C



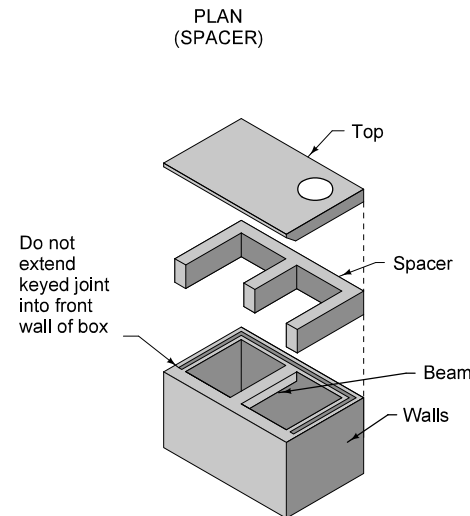
PLAN (SPACER)

- ④ 12 inch minimum wall height above all pipes.
- ⑤ Slope of 1.5% or as specified in the contract documents.

MAXIMUM PIPE DIAMETERS		
Pipe Location	Precast Structure	Cast-in-place Structure
Short Wall	30"	36"
Long Wall	60"	66"



SECTION B-B



ISOMETRIC  
(Refer to Section B-B  
for alignment of Top  
with Spacer)

SUDAS	IOWADOT	REVISION
		6 04-21-20
FIGURE 6010.510	STANDARD ROAD PLAN	<b>SW-510</b>
		SHEET 3 of 3
REVISIONS: Added Class I Bedding Material and changed maximum box out length to 17'.		
<i>Paul D. Weigand</i> SUDAS DIRECTOR		<i>Stuart Nadeau</i> DESIGN METHODS ENGINEER
<b>DOUBLE OPEN-THROAT CURB INTAKE, LARGE BOX</b>		