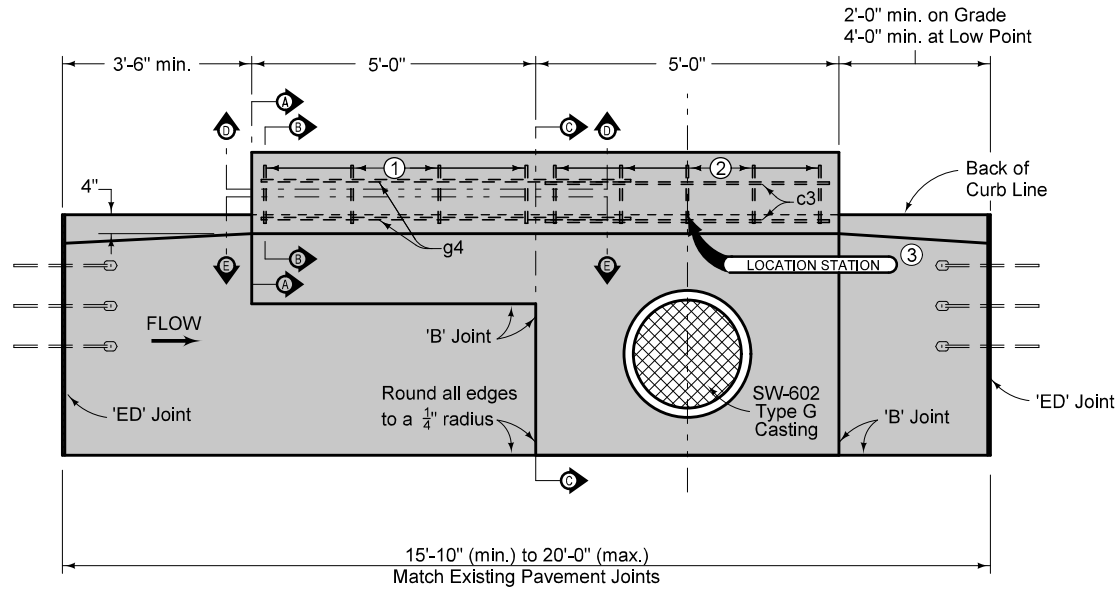


Extension unit may be used on either or both sides of SW-541 intakes. Details are similar when extension unit is on the opposite side.

- ① g3 for 6 inch standard curb; g5 for 4 inch sloped curb.
- ② c1 for 6 inch standard curb; c2 for 4 inch sloped curb. See SW-541 for reinforcing.
- ③ The location station is where the centerline of intake meets the back of the curb line.



PLAN
(SW-542 EXTENSION AND SW-541 INTAKE)

Placing sequence: 1. Base; 2. Walls and Extension; 3. Top; 4. Insert

REINFORCING BAR LIST							
BAR	SIZE	LOCATION	SHAPE	NO.	LENGTH	WEIGHT	SPACING
b2	4	Intake Wall		3	2'-6"	5.0	9"
f1	4	Bottom		3	4'-9"	9.5	9"
f2	4	Bottom		4	1'-7"	4.2	18"
g1	4	Wall		5	Varies*	Varies*	12"
g2	4	Wall		1	4'-8"	3.1	-
g3	4	Top		4	Varies**	Varies**	18"
g4	4	Top		3	6'-4"	12.7	-
g5	4	Top		4	Varies**	Varies**	18"

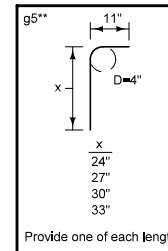
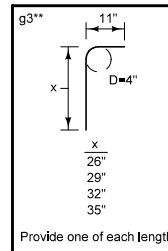
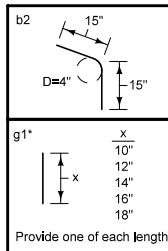
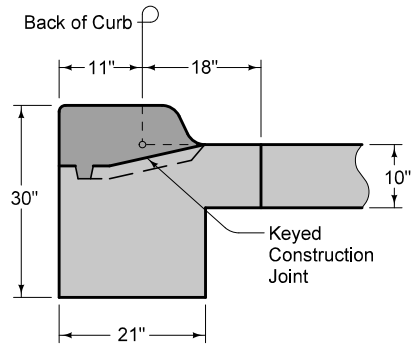
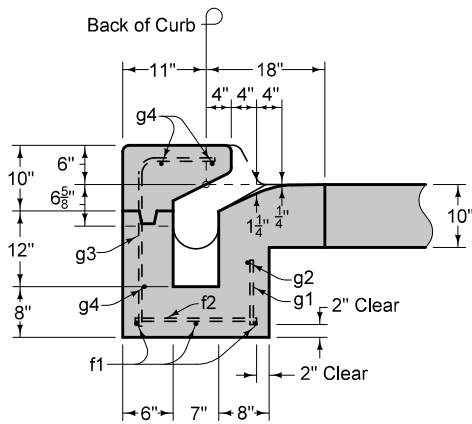


FIGURE 6010.542 SHEET 1 OF 4

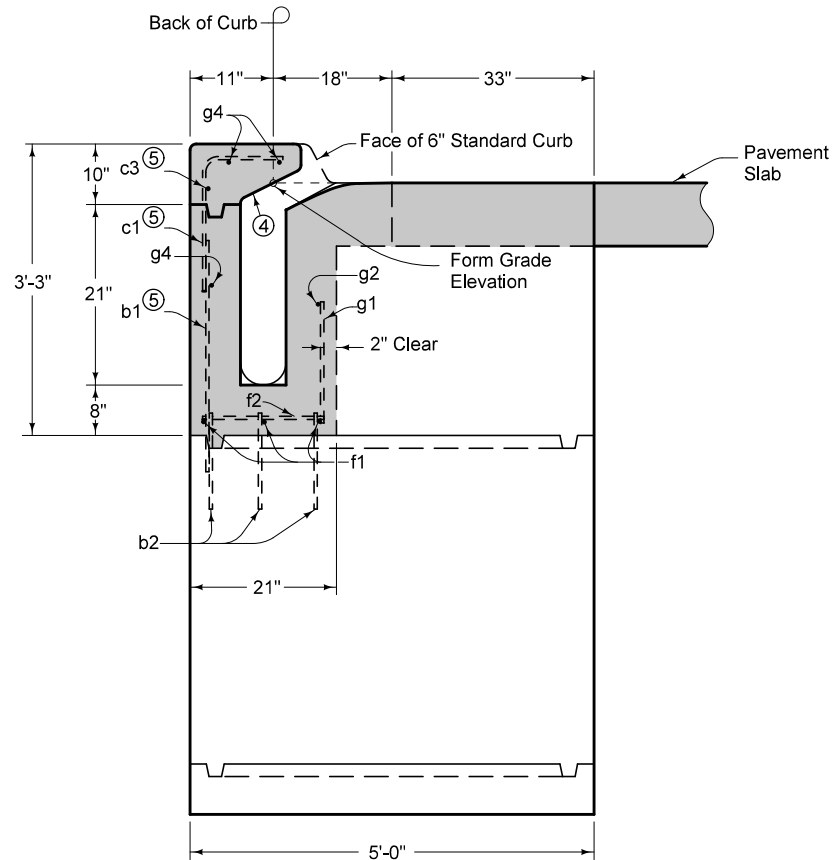
INTERIM		REVISION	
		4	04-21-20
FIGURE 6010.542	STANDARD ROAD PLAN	SW-542	
		SHEET 1 of 4	
REVISIONS: Modified box dimensions on Sheets 1, 2, and 3.			
<i>Paul D. Wigand</i> SUDAS DIRECTOR		<i>Shant Niles</i> DESIGN METHODS ENGINEER	
EXTENSION UNIT FOR OPEN-THROAT CURB INTAKE UNDER PAVEMENT			



SECTION A-A



SECTION B-B



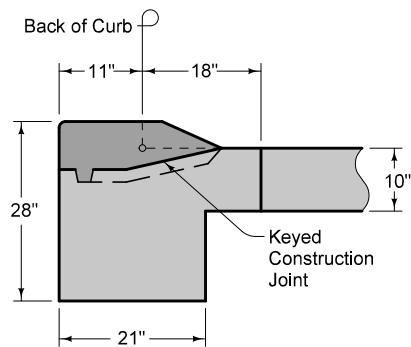
SECTION C-C

- ④ 2:1 Slope (Horizontal:Vertical)
- ⑤ See SW-541 for reinforcing.

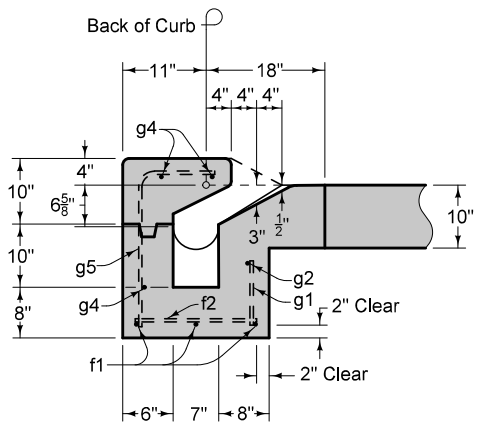
6 INCH STANDARD CURB

FIGURE 6010.542 SHEET 2 OF 4

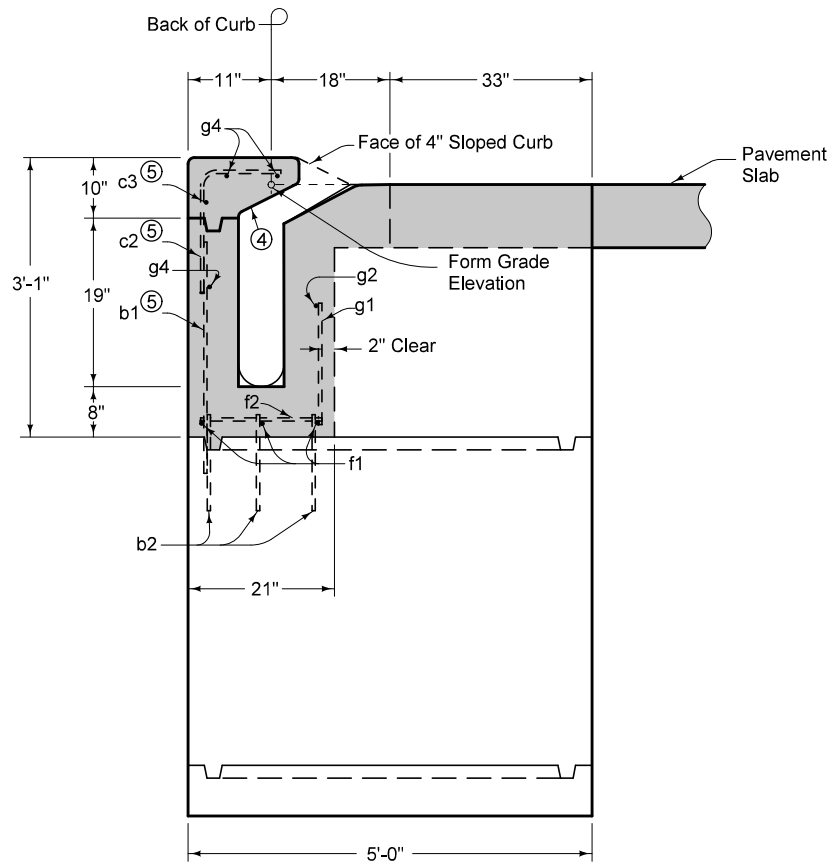
INTERIM	REVISION	
	4	04-21-20
FIGURE 6010.542	STANDARD ROAD PLAN	SW-542
		SHEET 2 of 4
REVISIONS: Modified box dimensions on Sheets 1, 2, and 3.		
<i>Paul D. Wigand</i> <small>SUDAS DIRECTOR</small>		<i>Stuart Nade</i> <small>DESIGN METHODS ENGINEER</small>
EXTENSION UNIT FOR OPEN-THROAT CURB INTAKE UNDER PAVEMENT		



SECTION A-A



SECTION B-B



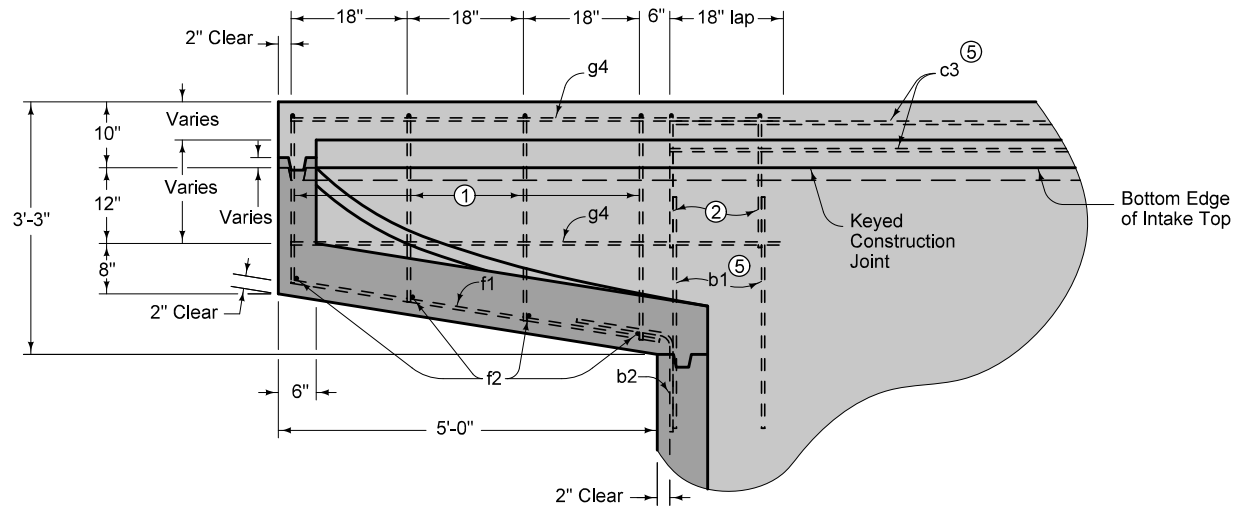
SECTION C-C

- ④ 2:1 Slope (Horizontal:Vertical)
- ⑤ See SW-541 for reinforcing.

4 INCH SLOPED CURB

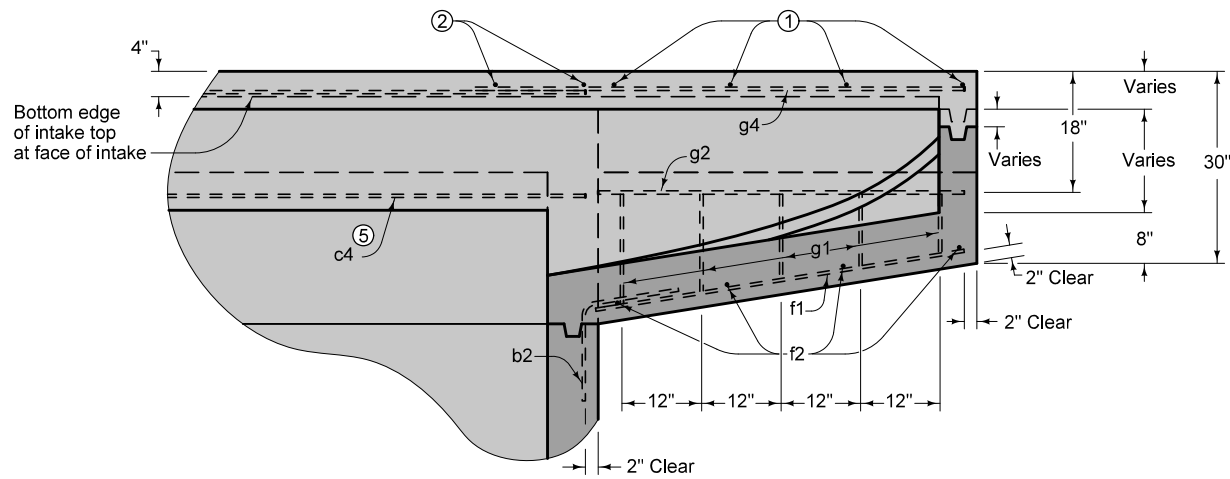
FIGURE 6010.542 SHEET 3 OF 4

INTERIM		REVISION	
		4	04-21-20
FIGURE 6010.542	STANDARD ROAD PLAN	SW-542	
		SHEET 3 of 4	
REVISIONS: Modified box dimensions on Sheets 1, 2, and 3.			
<i>Paul D. Wigand</i> SUDAS DIRECTOR		<i>Shant Niles</i> DESIGN METHODS ENGINEER	
EXTENSION UNIT FOR OPEN-THROAT CURB INTAKE UNDER PAVEMENT			



SECTION D-D

- ① g3 for 6 inch standard curb; g5 for 4 inch sloped curb.
- ② c1 for 6 inch standard curb; c2 for 4 inch sloped curb. See SW-541 for reinforcing.
- ⑤ See SW-541 for reinforcing.



SECTION E-E

FIGURE 6010.542 SHEET 4 OF 4

INTERIM	REVISION	
	4	04-21-20
FIGURE 6010.542	STANDARD ROAD PLAN	SW-542
		SHEET 4 of 4
REVISIONS: Modified box dimensions on Sheets 1, 2, and 3.		
<i>Paul D. Wigand</i> <small>SUDAS DIRECTOR</small>		<i>Stuart Nadeau</i> <small>DESIGN METHODS ENGINEER</small>
EXTENSION UNIT FOR OPEN-THROAT CURB INTAKE UNDER PAVEMENT		