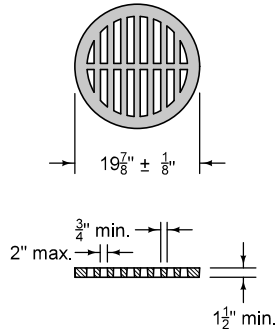
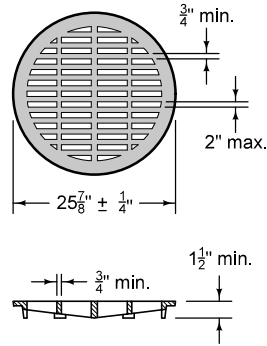


TYPE 4



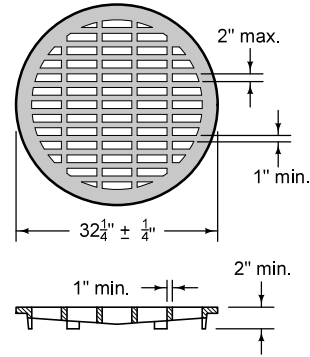
TYPE 4A

For Placement on 18" RCP



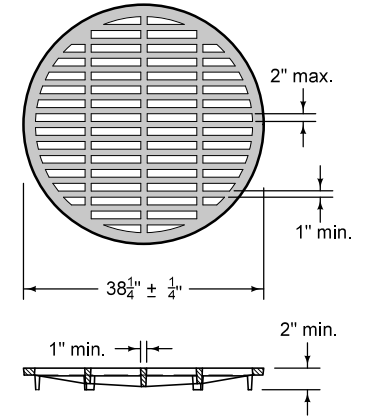
TYPE 4B

For Placement on 24" RCP



TYPE 4C

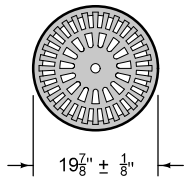
For Placement on 30" RCP



TYPE 4D

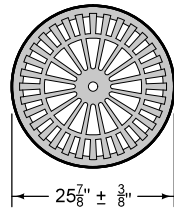
For Placement on 36" RCP

TYPE 3
(Light Duty)



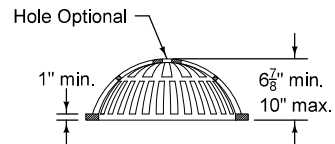
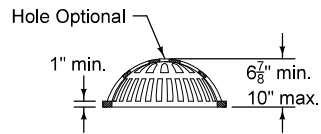
TYPE 3A

For Placement on 18" RCP



TYPE 3B

For Placement on 24" RCP



TYPE 5
(Light Duty)
For Placement on 24" to 30" RCP

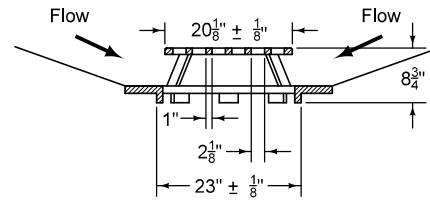
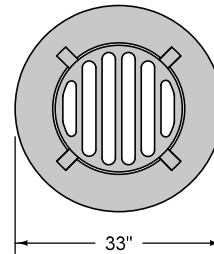


FIGURE 6010.604 | SHEET 1 OF 2

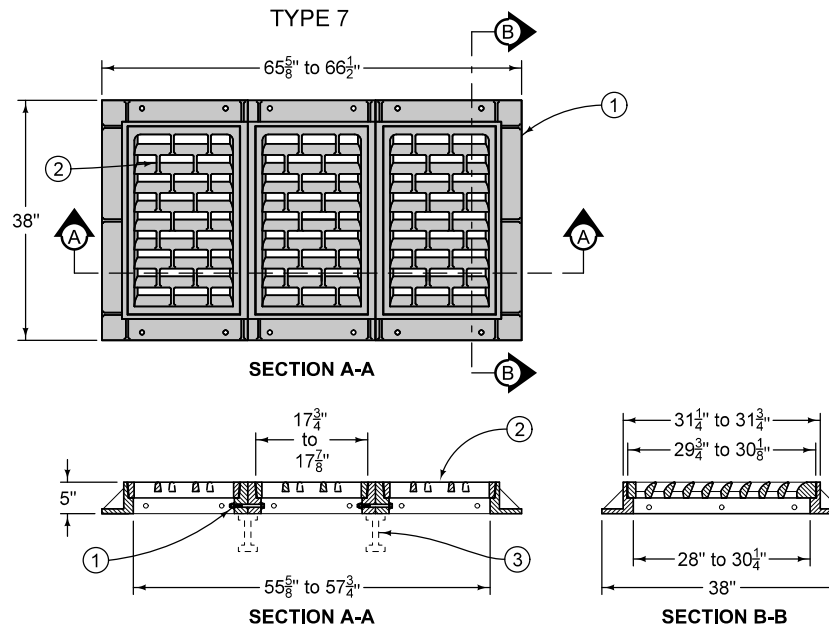
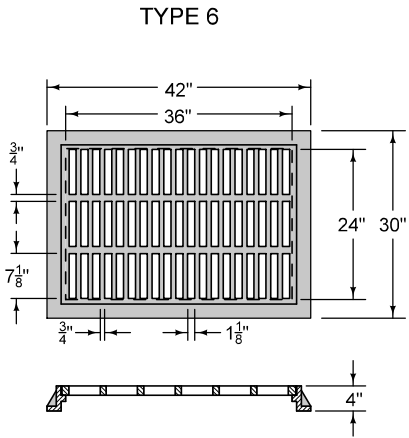
SUDAS	IOWADOT	REVISION
		3 04-21-20
FIGURE 6010.604	STANDARD ROAD PLAN	SW-604
		SHEET 1 of 2

REVISIONS: Added Type 7 casting. Modified circle notes.

Paul D. Wigand
 SUDAS DIRECTOR

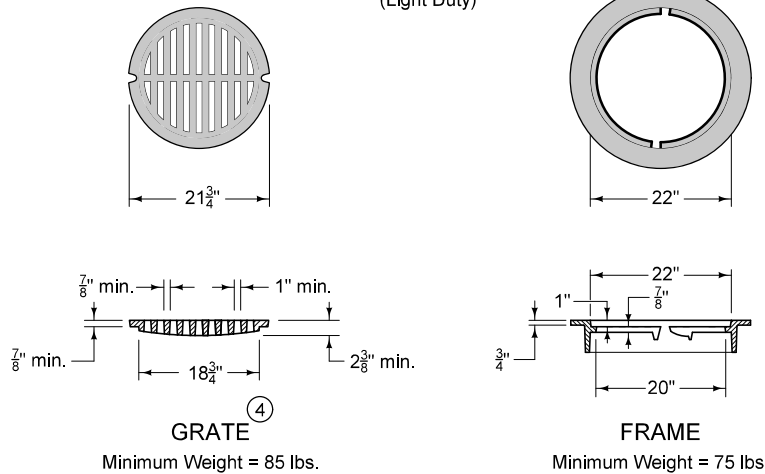
Stuart Miller
 DESIGN METHODS ENGINEER

CASTINGS FOR AREA INTAKES



- ① Frame provided in three segments (two ends and one center). Bolt segments together as specified by the casting manufacturer.
- ② Provide bicycle safe, vane style grates with a minimum open area of 4 square feet. At low points, grates with vanes facing both directions will be allowed.
- ③ If required by casting manufacturer, provide support beam under all frame joints. Modify structure walls as required to provide pocket for beam.
- ④ Cast grate without locking lugs so it may be used in an inverted position.

TYPE 9
(Light Duty)



SUDAS	IOWADOT	REVISION
		3 04-21-20
FIGURE 6010.604	STANDARD ROAD PLAN	SW-604
		SHEET 2 of 2

REVISIONS: Added Type 7 casting. Modified circle notes.

Paul D. Wigand
SUDAS DIRECTOR

Stuart Nade
DESIGN METHODS ENGINEER

CASTINGS FOR AREA INTAKES