

- ① Barrel length and diameter as specified in the contract documents.
- ② Riser pipe and base/dewatering device: See Figure 9040.115.
- ③ Anti-vortex device: See Figure 9040.116.

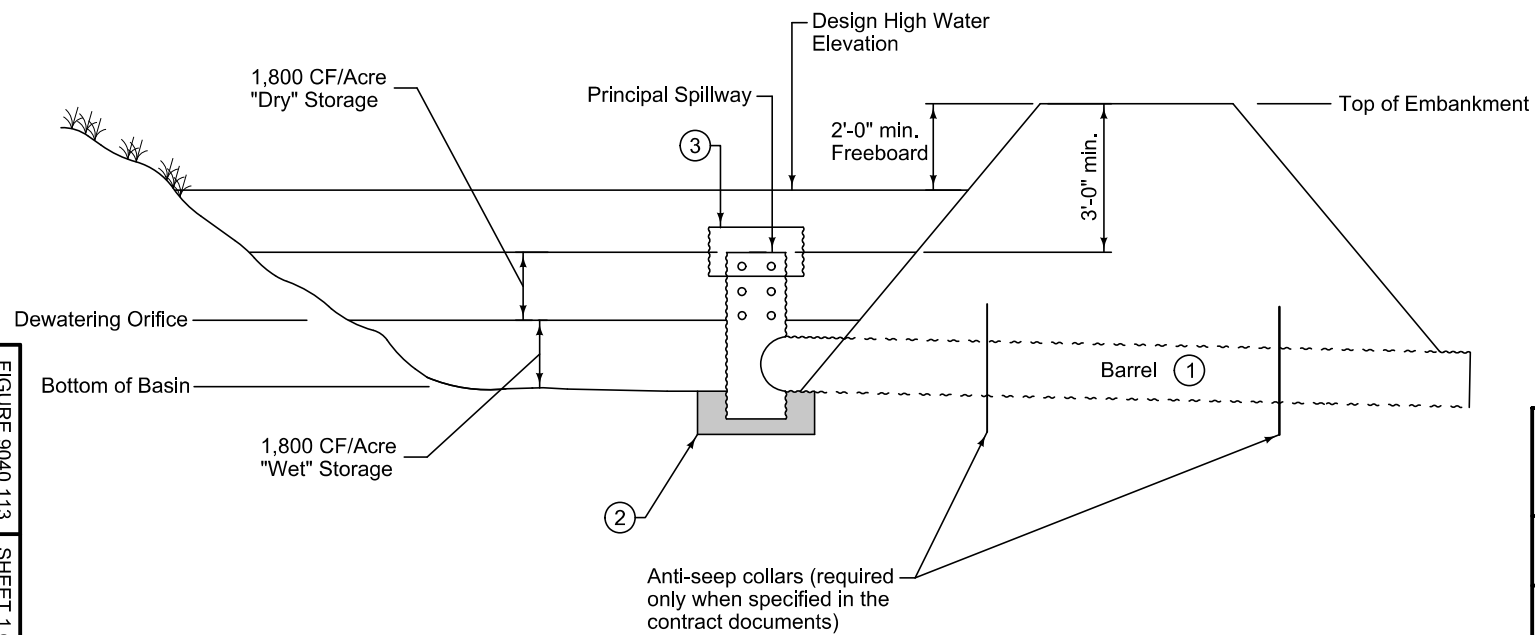


FIGURE 9040.113 SHEET 1 OF 1

	REVISION	
	2	10-21-14
	9040.113	
SHEET 1 of 1		

SUDAS Standard Specifications

SEDIMENT BASIN WITHOUT
EMERGENCY SPILLWAY